

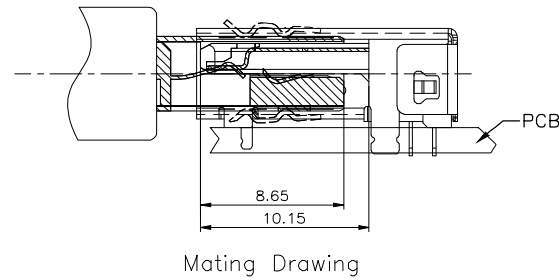
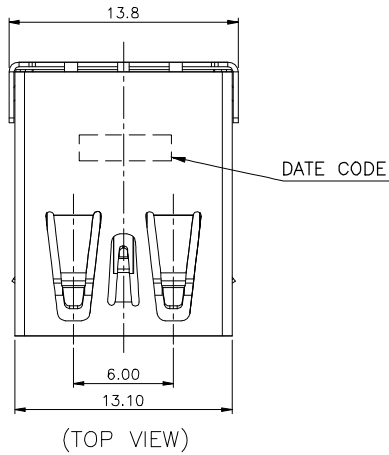
* RoHS COMPLIANT *

REVISIONS

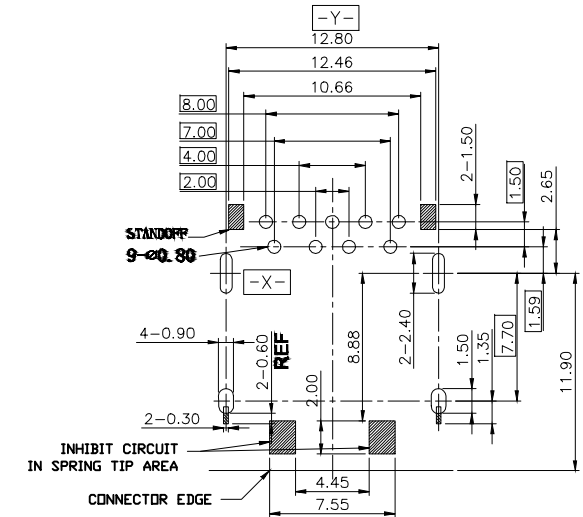
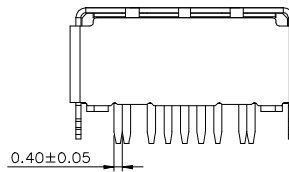
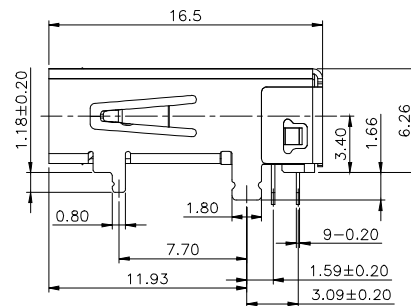
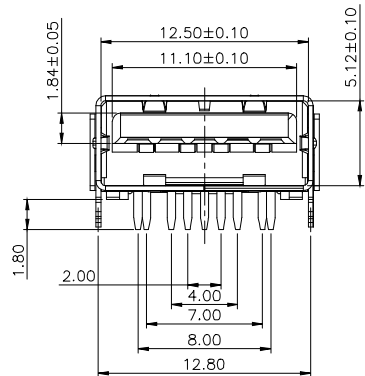
LTR	DESCRIPTION	DATE	REVISED	APPROVED

Remark:

1. MATERIAL:
 - 1.1 Housing: PA9T+30%G, F UL94V-0, Color: Black.
 - 1.2 Contact 1:C2680-EH, 1u" . GOLD PLATING
ON CONTACT AREA 100u" MIN. TIN PLATING ON SOLDER TAILS
50u" MIN. NICKEL UNDERPLATING OVER ALL
 - 1.3 Contact2:C5191-EH, 1u" MIN. GOLD PLATING
ON CONTACT AREA 100u" MIN. TIN PLATING ON SOLDER TAILS
50u" MIN. NICKEL UNDERPLATING OVER ALL
 - 1.4 Shell: SUS, 50u" MIN. NICKEL PLATING.
2. Characteristics:
 - 2.1 Rating Voltage: 30V AC.
 - 2.2 Rating Current: 1.8A for VBUS and GND,
and 0.25A for all other contacts
 - 2.3 Contact Resistance: 30 mΩ MAX.
 - 2.4 Insulation Resistance: 100 MΩ MIN.
 - 2.5 Withstanding Voltage: AC 500V.
 - 2.6 Mating force: 35N MAX
 - 2.7 Extraction force: 9. 8N Min. 8N Min for AFTER TEST
 - 2.8 Life test: 5000Cycles MIN.
 - 2.9 Temperature Range: -30°C~+80°.



Pin #	SIGNAL NAME
1	VBUS
2	D-
3	D+
4	GND
5	StdA_SS
6	StdA_SS
7	GND_DRAIN
8	StdA_SS
9	StdA_SS
Shell	Shield



TOLERANCE: ±0.05
TOLERANCE: 1.60±0.05mm
RECOMMENDED PCB LAYOUT

UNLESS OTHERWISE SPECIFIED, TOLERANCE ON DECIMAL: ±0.3

DWN	LILY	DATE	2019.07.15	3RD ANGLE PROJECTION	NAME
CHKD	ANDY	DATE	2019.07.15		USB 3.1 AF DIP 正向CH3.4mm
APVD	JON	DATE	2019.07.15	UNIT: mm	CAT. NO.
					JCU3-NEW-E100928-01
					DWN.NO.
JKCR Electronics Co., Ltd.					SL-NEW-E100928-01
					001